

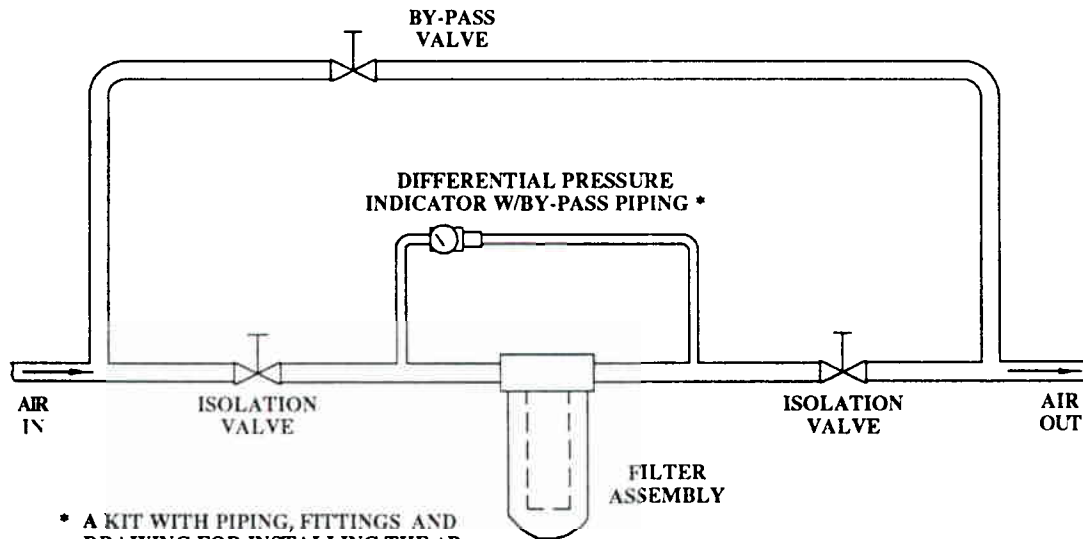


**PSB INDUSTRIES INC.**  
 General Air Division  
 1202 West 12th Street  
 Erie, PA 16501  
 Phone: (814) 453-3651  
 Fax: (814) 454-3492

**INSTALLATION INSTRUCTIONS  
 PARTICULATE FILTERS  
 COALESCING FILTERS  
 ODORGARD FILTERS**

**INSTALLATION/OPERATION**

- (1) Place filter in a horizontal pipe line. Install filter such that the following flow pattern is achieved:  
 Coalescing: Flow from inside to outside of cartridge.  
 Particulate: Flow from outside to inside of cartridge.  
 Odorgard: Flow from outside to inside of cartridge.
- (2) Ensure that filter housing is reasonably level in order to prevent any coalesced liquid from re-entering the air stream.
- (3) Install a valved bypass system around filter for ease of cartridge replacement.
- (4) Install a differential pressure indicator to show when to change cartridge. Filter cartridge should be replaced when pressure drop exceeds 10 psid. Exceeding maximum allowable pressure differential of 20 psid may cause cartridge failure.
- (5) Once installation is complete, slowly pressurize filter to avoid cartridge rupture. Ruptures are exempt from warranty.



\* A KIT WITH PIPING, FITTINGS AND DRAWING FOR INSTALLING THE ΔP INDICATOR IS AVAILABLE.

**MAINTENANCE/SERVICE**

Periodically check to ensure filter is operating and functioning properly. If undesirable conditions appear downstream of filter, the following items should be checked and corrected:

Problem	Solution
1. Pressure drop across filter exceeds 10 psid.	1. Replace filter cartridge.
2. Leak across end cap seal.	2. Disassemble and reseal cartridge.
3. Ruptured cartridge.	3. Replace filter cartridge.
4. Overloaded condition.	4. Correct conditions to within design limits.
5. Oil retainment.	5. Ensure that oil is allowed to reach the bottom of the cartridge and is properly drained.

**CARTRIDGE REPLACEMENT**

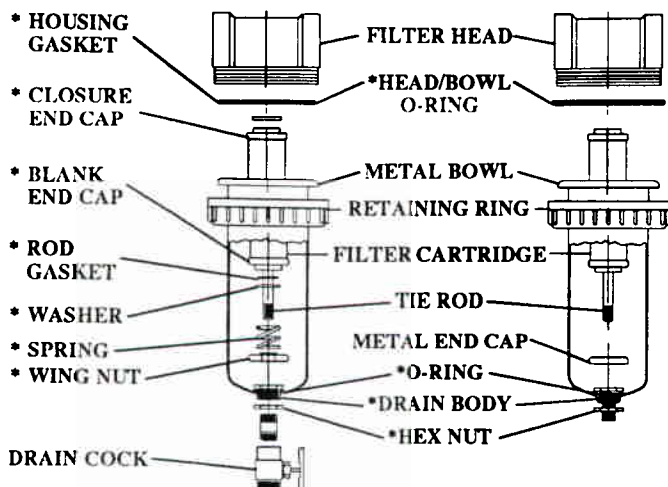
Cartridge replacement should occur, as a maximum, at the following interval:

Cartridge Type	Replacement Interval (Max.)
Coalescing	Pressure drop exceeds 10 psid
Particulate	Pressure drop exceeds 10 psid
Odorgard	Every 2000 hrs

Cartridge replacement instructions are as follows:

- (1) Depressurize filter and disassemble head or bowl, as applicable.
- (2) Remove threaded end cap from tie rod/strap and remove filter cartridge.
- (3) Install new cartridge and replace threaded end cap.
- (4) Reassemble head or bowl to filter, as applicable.
- (5) Slowly repressurize filter and place into service.

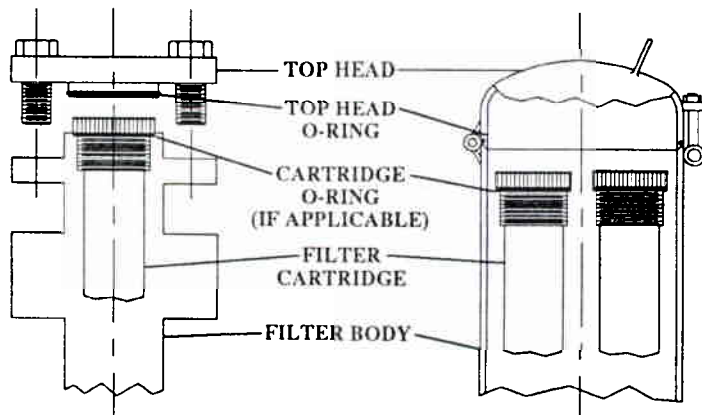
## FILTER REPLACEMENT ORINGS



\* Items identified with an asterick are included in the rebuild kit.

Filter Model No.	Head/Bowl Oring
2	71046-633
5	71046-633
10	71046-634
15	71046-634
25	71046-634
30	71046-634
40	71046-634
50	71046-634
X100	71046-634
X160	71046-634

## FILTER REPLACEMENT O-RINGS



Filter Model No.	Top Head O-Ring	Filter Cartridge O-Ring
75	71046-21	71046-58
150 & 225	71046-22	
375 & 450	71046-78	
750 & 1050	71046-79	
1500	71046-80	
2250 & 2275	71046-81	

Filter Model No. *	Top Head O-Ring
X200	71046-255
X300	71046-256
X400	71046-256
X600	71046-257
X800	71046-257
X1400	71046-258
X2200	71046-259
X3000	71046-260
X5000	71046-261
X8000	71046-262

\* For model numbers listed, cartridge O-Rings are not applicable.

## FILTER DRAIN TYPES

Filter Model No.	STD. Manual		OPT. Automatic				
	Petcock	Ball Valve	Float Drain 71034-39 175 PSI MWP	Float Drain 71034-38 175 PSI MWP	Float Drain 71034-117 300 PSI MWP	Elec. ADV-1 Drain Valve 70366-136 200 PSI MWP	Elec. ET-4 Drain Valve 70550-11 500 PSI MWP
2-30	X		X		X	X	X
50-160	X			X	X	X	X
200-8000		X		X	X	X	X